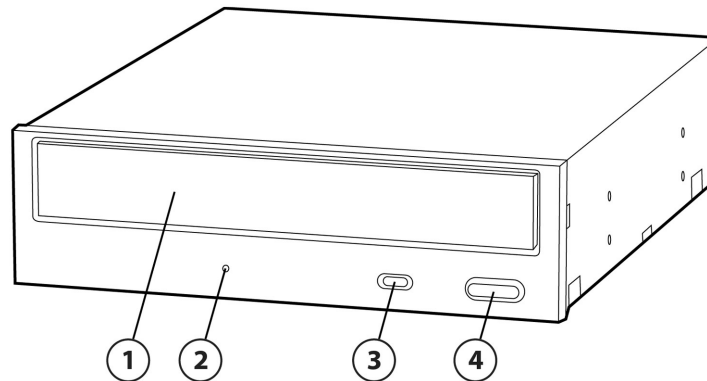


Overview



- | | |
|----------------------|--------------------|
| 1. Disc tray | 3. Operation light |
| 2. Manual eject hole | 4. Eject button |

Models

HP Blu-ray BDXL SATA Drive (black)

B4F70AA

Introduction

Get exceptional backup ability, and create and edit HD videos with the HP Blu-ray BDXL SATA Drive. Maintain efficient transfer rates and conformance to worldwide DVD standards with a high-quality, cost-effective storage solution. (1, 2)

NOTE: Playing back Blu-ray HDCP (High-bandwidth Digital Content Protection) content such as commercially distributed Blu-ray HD movies requires a fully HDCP compliant path on your computer. The HDCP technology checks compliance of each component in the path from the content on the Blu-ray disc all the way to the display monitor.

NOTE: Actual speeds may vary. HP Blu-ray BDXL SATA Drive data transfer rates up to 6,000 KB/s (CD) and 21,600 KB/s (DVD). Does not permit copying of commercially available DVD movies or other copy-right protected materials. Intended for creation and storage of your original material and other lawful uses. DVD Double Layer discs can store more data than single layer discs. Double-layer discs burned with this drive can only be read by double layer capable DVD drives and players.

Serial ATA: Serial ATA is the next generation ATA interface. It provides you with faster data transfer speeds, better system cooling airflow, more bandwidth, more headroom for speed increases in future generations and better data integrity helping to improve your productivity. This SATA interface connects storage devices to the PC platform providing a direct path between the storage device and the PC. This offers you the additional benefits of dedicated bandwidth, the ability to more easily identify device failures and scalability.

Overview

Key Benefits

- Increase your storage capacity and house your data, or record Blu-ray quality video thanks to quadruple layer technology in the new HP Blu-ray BDXL SATA Drive.^(2, 3)
- Create high-quality videos and demos in HD format. With the HP Blu-ray BDXL SATA Drive you can record, author and edit Blu-ray videos for a truly professional look at an attractive price point.^(1, 2, 3)
- Speed up the process with fast transfer rates and efficient recordable technology for DVD burning.⁽⁴⁾
- Write to most DVD formats including DVD-RAM, and create DVD discs that can be played on most set-top DVD players and DVD-ROM drives. Record, erase, and re-record to CD-RW, DVD+RW, DVD-RW and DVD-RAM discs.^(1,3,4)
- Get started right out of the box with included Roxio MyDVD Business HD and Corel WinDVD SD and BD software.⁽¹⁾

Included Software

Roxio MyDVD Business HD Now you can burn and share anything on CD or DVD - your music just the way you like it, your photos, your videos - even backup your critical data - faster and easier than ever.

Roxio MyDVD Business HD provides you with the necessary tools to burn your digital music, preserve memories in electronic albums, create photo slide shows, print or e-mail photos, copy personal discs or save large data projects to multiple discs. In addition, you can make DVD movies that feature professional transitions with animated menus that will play on a home DVD player. Do more with your digital media with this powerful, easy-to-use and fully integrated product.

Corel WinDVD SD and BD Get the most out of your DVDs with Corel WinDVD SD and BD. Corel WinDVD SD and BD combines the picture and sound features of a PC to bring your Blu-ray discs to life. Features include thumbnail bookmarks to instantly find your favorite scenes, fully-adjustable zoom and pan, and more. With comprehensive audio support, including Dolby Digital two channel decoding, Corel WinDVD SD and BD lets you enjoy an unmatched theater experience on your desktop PC.

Compatibility

The HP Blu-ray BDXL SATA Drive supports data applications, standard definition (SD) video applications and Blu-ray (HD) video applications* on the HP Compaq 6305 Pro MT, HP Compaq 6305 Pro SFF.

The following minimum prerequisite software and hardware must be installed for Blu-ray (HD) video support/compatibility:

- Windows 7
- Integrated Graphics or platform supported HP graphics cards
- 2GB minimum memory
- Dual or Quad Core Processor
- HDCP compliant monitor

NOTE: Not all models are available in all regions.

Service and Support

Your Option Limited Warranty is a one (1) year (HP Option Limited Warranty Period) parts replacement warranty on any HP-branded or Compaq-branded options (HP Options). If your HP Option is installed in an HP Hardware Product, HP may provide warranty service either for the HP Option Limited Warranty Period or the remaining Limited Warranty Period of the HP Hardware Product in which the HP Option is being installed, whichever period is the longer but not to exceed three (3) years from the date you purchased the HP Option.

Technical Specifications

HP 6x SATA Blu-ray Writer	5.25-inch, half-height, tray-load		
Orientation	Either horizontal or vertical		
Interface type	SATA/ATAPI		
Disc capacity	128 GB QL, 100 GB TL, 50 GB DL or 25 GB standard SL		
Dimensions W x H x D (max)	14.8 x 4.2 x 18 cm, (5.8 x 1.7 x 7.9 in)		
Weight (max)	2.1 lb, (950 g)		
Write speed		Single-layer	Double-layer
	BD-R Triple-layer: 2x, 4x CLV	2x, 4x CLV, 6x PCAV	2x, 4x CLV, 6x PCAV or ZCLV
	Quadruple-layer: 2x, 4x CLV	2x CLV	2x CLV
	BD-RE Triple-layer: 2x CLV	2x CLV	2x CLV
	DVD-R	4x CLV, 8x, 12x PCAV, 16x CAV	4x CLV, 8x PCAV or ZCLV
	DVD-RW	2x, 4x ZLV, 6x CLV or ZCLV	Not supported
	DVD+R	4x CLV, 8x, 12x PCAV, 16x CAV	2.4x, 4x CLV, 8x PCAV or ZCLV
	DVD+RW	2.4x, 4x, 6x CLV, 8x ZCLV	Not supported
	DVD-RAM	2x, 3x CLV, 5x PCAV or CLV	
	CD-R	16x CLV, 24x, 32x PCAV, 40x CAV or PCAV	
	CD-RW	4x, 10x, 16x CLV, 24x ZCLV	
Read speeds		Single-layer	Double-layer
	BD-ROM	8x CAV	8x CAV
	BD-R	8x CAV	8x CAV
	BD-RE (SL/DL)	6x CAV	6x CAV
	DVD-ROM	16x CAV	8x CAV
	DVD-R	16x CAV	8x CAV
	DVD-RW	10x CAV	Not supported
	DVD+R	16x CAV	8x CAV
	DVD+RW	10x CAV	Not supported
	BDMV (AACs Compliant Disc)	2x CLV, 4.8x or 6x CAV	
	DVD-RAM	2x, 3x CLV, 5x PCAV or CLV	
	DVD-Video (CSS Compliant Disc)	8x CAV	
	CD-R/RW/ROM	40x / 40x / 40x CAV	
	CD-DA (DAE)	32x CAV	

Technical Specifications

	80 mm CD	16x CAV
Sustained Transfer rate	BD-ROM	36 MB/s (8x) max.
	DVD-ROM	21.6 MB/s (16x) max.
	CD-ROM	6,000 KB/s (40x) max.
Burst Transfer rate		1.5Gbps bits/s (10b side)
		1.2Gbps bits/s (8b side)
Multimedia MPC-3 compliant		Yes
Access times (typical reads, including setting)	Random	DVD-ROM: 150 ms (typical), CD-ROM: 140 ms (typical)
	Full Stroke	DVD-ROM: 240 ms (typical), CD-ROM: 230 ms (typical)
Power	Source	SATA DC power receptacle
	DC Power Requirement	5 VDC \pm 5%-100 mV ripple p-p 12 VDC \pm 10%-100 mV ripple p-
	DC Current	5 VDC -1200 mA typical, 1500 mA maximum
		12 VDC -1000 mA typical, 1500 mA maximum
Environmental (all conditions non-condensing)	Temperature (operating)	41° to 122° F (5° to 50° C)
	Relative Humidity (operating)	10% to 90%
	Maximum Wet Bulb Temperature (operating)	86° F (30° C)
Operating systems supported	Windows 8 Pro (64-bit)*, Windows 8 (64-bit)*, Windows 7 Home Basic*, Windows 7 Home Premium**, Windows 7 Professional Edition 32**, Windows 7 Professional Edition 64**, Windows 7 Ultimate Edition 32**, Windows 7 Ultimate Edition 64**, Windows Vista Business 64***, Windows Vista Business 32***, Windows Vista Home Basic 32***, Windows 2000, Windows XP Professional or Windows XP Home 32***. No driver is required for this device. Native support is provided by the operating system.	
	*Not all features are available in all editions of Windows 8. Systems may require upgraded and/or separately purchased hardware, drivers and/or software to take full advantage of Windows 8 functionality. See http://www.microsoft.com .	
	** This system may require upgraded and/or separately purchased hardware and/or a DVD drive to install the Windows 7 software and take full advantage of Windows 7 functionality. See http://www.microsoft.com/windows/windows-7/ for details.	
	*** Certain Windows Vista product features require advanced or additional hardware. Windows Vista Upgrade Advisor can help you determine which features of Windows Vista will run on your computer. To download the tool, visit: http://www.windowsvista.com/upgradeadvisor . For Windows Vista system requirements, visit: http://www.windowsvista.com/systemrequirements .	
Option kit contents	HP Blu-ray BDXL SATA Drive , SATA cables, Roxio MyDVD Business HD, Corel WinDVD SD and BD Software, installation guide, and DVD+R media.	

Technical Specifications

1. Included software requires Windows 7.
2. Blu-Ray drive XL contains new technologies; certain disc, digital connection, compatibility and performance issues may arise, and do not constitute defects in the product. Flawless playback on all systems is not guaranteed. In order for some Blu-ray titles to play, they may require an HDCP path and HDCP display. HD-DVD movies cannot be played on this BDXL Drive.
3. BDXL media is required and sold separately.
4. Don't copy copyright protected materials.

© Copyright 2013 Hewlett-Packard Development Company, L.P. The information contained herein is subject to change without notice. The only warranties for HP products and services are set forth in the express warranty statements accompanying such products and services. Nothing herein should be construed as constituting an additional warranty. HP shall not be liable for technical or editorial errors or omissions contained herein.

Microsoft and Windows are US registered trademarks of Microsoft Corporation.