



Quick Start Guide



Cisco Small Business RV180 VPN Router RV180W Wireless-N Multifunction Router

Package Contents

- Router
- Ethernet Cable
- Power Adapter
- Quick Start Guide
- Documentation and Software on CD-ROM

Version en français sur CD

Welcome

Thank you for choosing the Cisco Small Business RV180/RV180W router. The Cisco RV180 & RV180W Wireless-N VPN Router provides simple, affordable, highly secure, business-class connectivity to the Internet for small offices and remote workers. The RV180W features multi-function operation allowing the device to function as a wireless router, bridge, or access point. Both products include 4-port Gigabit Ethernet LAN ports, a Gigabit Ethernet WAN port, and an intuitive browser-based device manager.

1 Before You Begin

Before you begin the installation, make sure that you have the following equipment and services:

- An active Internet account
- Ethernet cable for WAN (Internet) connection (provided).
- PC with functional network adapter (Ethernet connection) to run the Device Manager. The Setup Wizard is supported on Microsoft Windows 2000, Windows XP, Windows Vista, and Windows 7. The Device Manager is supported on Microsoft Internet Explorer 6.0 and later, Mozilla Firefox 3.0 and later, and Apple Safari 3.0 or later.
- (Optional) Ethernet cables for LAN interfaces to connect additional devices to the Cisco RV180/RV180W.

You may need to contact your Internet Service Provider (ISP) to get more information about your account if any of the following situations apply:

- You have a static IP address assigned to you by your ISP and you do not know your IP address.
- You have a PPPoE, PPTP, or LT2P connection to the Internet and you do not know your username or password for your account.

2 Mounting the RV180/RV180W

You can place your Cisco RV180/RV180W on a desktop or mount it on a wall.

Placement Tips

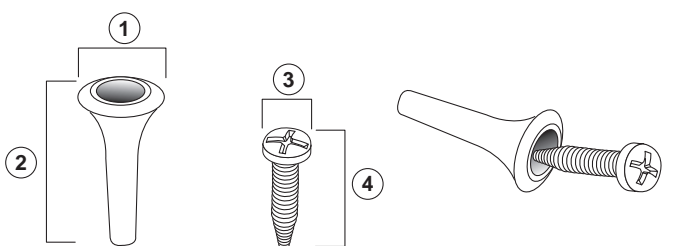
- Ambient Temperature**—To prevent the router from overheating, do not operate it in an area that exceeds an ambient temperature of 104°F (40°C).
- Air Flow**—Be sure that there is adequate air flow around the router.

- Mechanical Loading**—Be sure that the router is level and stable to avoid any hazardous conditions.

For desktop placement, place the Cisco RV180/RV180W horizontally on a flat surface so that it sits on its four rubber feet.

Wall Mounting

The Cisco RV180/RV180W can be wall-mounted. You will need two mounting screws (not supplied) and drywall anchors (not supplied), if you are installing the screws into wallboard. The dimensions for the screws are as follows:



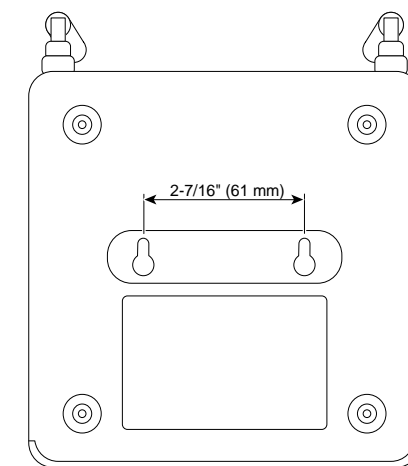
- 1 0.30 to 0.32 in/ 7.7 to 8.2 mm 2 0.86 to 0.88 in/ 21.8 to 22.3 mm 3 0.26 to 0.28 in/ 6.5 to 7.1 mm 4 0.61 to 0.63 in/ 15.5 to 16 mm

WARNING Insecure mounting might damage the device or cause injury. Cisco is not responsible for damages incurred by insecure wall-mounting.

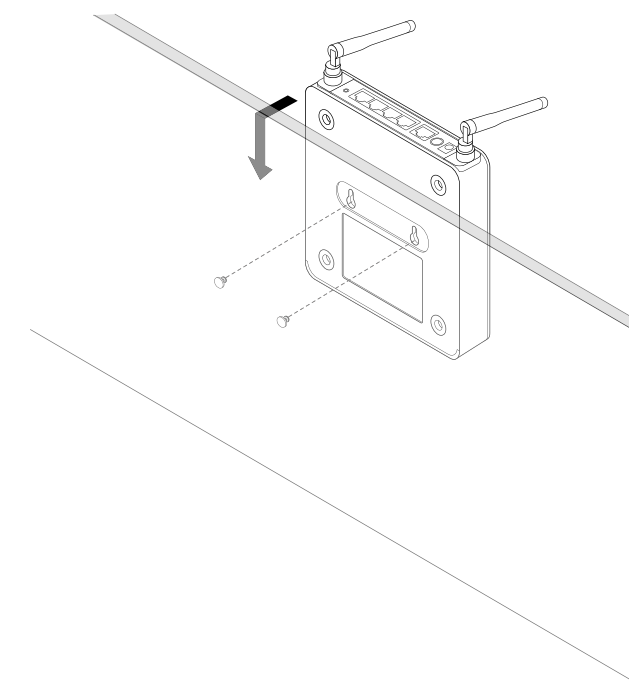
To mount the router to the wall:

- STEP 1** Determine where you want to mount the router. Verify that the surface is smooth, flat, dry, and sturdy.
- STEP 2** Drill two pilot holes into the surface 2-7/16 inches (61 mm) apart, and with a minimum of 5.12 inches (130 mm) of clearance.

Insert a screw into each hole, leaving a gap between the surface and the base of the screw head of at least 0.1 inches (3 mm).

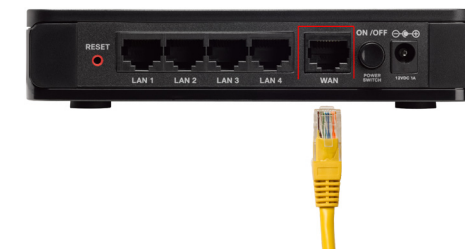


- STEP 3** Place the router wall-mount slots over the screws and slide the router down until the screws fit snugly into the wall-mount slots.

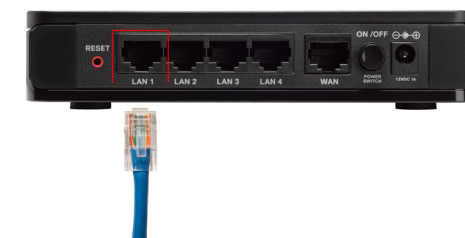


3 Connecting the Equipment

- STEP 1** Power off your cable or DSL modem.
- STEP 2** If your Ethernet cable from your DSL or cable modem is currently connected to a device such as a router or PC, disconnect the cable from the device and plug it into the port marked "WAN" on the RV180/RV180W. The cable or DSL modem is now connected to the router.



- STEP 3** Using the Ethernet cable included in the Cisco RV180/180W box, connect one end of the cable to one of the LAN ports of the router. (In this example, the LAN 1 port is used.) Connect the other end of the cable to an Ethernet port on the PC that will be used to connect to the Cisco RV180/180W Device Manager.



- STEP 4** Power on the cable or DSL modem and wait until the connection is active.

STEP 5 Connect the power adapter to the Cisco RV180/180W power port.

CAUTION Use only the power adapter that is supplied with the unit. Using a different power adapter could damage the unit.



STEP 6 Plug the other end of the adapter into an electrical outlet.

Americas Headquarters
 Cisco Systems, Inc.
 170 West Tasman Drive
 San Jose, CA 95134-1706
 USA
www.cisco.com
 Small Business Support, Global: www.cisco.com/go/sbsc



78-19755-01
 Cisco and the Cisco Logo are trademarks of Cisco Systems, Inc. and/or its affiliates in the U.S. and other countries. A listing of Cisco's trademarks can be found at www.cisco.com/go/trademarks. Third party trademarks mentioned are the property of their respective owners. The use of the word partner does not imply a partnership relationship between Cisco and any other company. (1005R)
 © 2011 Cisco Systems, Inc. All rights reserved.

STEP 7 On the router, push in the ON/OFF POWER SWITCH button.



The POWER LED on the front panel lights up green when the power adapter is connected properly and the unit is turned on.

4 Router Features

Front Panel



RV180

RV180W

Power—The Power LED lights up green to indicate the unit is powered on. It flashes green when the power is coming on or software is being upgraded.

WAN LED—The WAN (Internet) LED lights up green when the unit is connected to your cable or DSL modem. The LED flashes green when the unit is sending or receiving data over the WAN port.

Wireless (RV180W)—The Wireless LED lights up green when the wireless module is enabled by the Device Manager. The LED is off when the wireless module is disabled. The LED flashes green when the unit is transmitting or receiving data on the wireless module.

AP (RV180W)—The AP LED lights up steady green when the Cisco RV180W is acting as an access point.

Bridge (RV180W)—The Bridge LED lights up steady green when the Cisco RV180W is acting as a bridge.

LAN—These four LEDs correspond to the four LAN (Ethernet) ports of the Cisco RV180/180W. If the LED is continuously lit green, the Cisco RV180/180W is connected to a device through the corresponding port (1, 2, 3, or 4). The LED for a port flashes green when the Cisco RV180/180W is actively sending or receiving data over that port.

Back Panel



RV180

RV180W

RESET Button—The Reset button has two functions:

- If the Cisco RV180/180W is having problems connecting to the Internet, press the **RESET** button for less than five seconds with a paper clip or a pencil tip. This is similar to pressing the reset button on your PC to reboot it.
- If you are experiencing extreme problems with the Cisco RV180/180W and have tried all other troubleshooting measures, press and hold in the **RESET** button for at least 20 seconds. This restores the Cisco RV180/180W to the factory default settings and clears all of the current settings from the router. NOTE: We recommend that you back up your current configuration before resetting the device to the factory default settings.

LAN Ports (1-4)—These ports provide a LAN connection to network devices, such as PCs, print servers, or additional switches.

WAN Port—The WAN port is connected to your Internet device, such as a cable or DSL modem.

ON/OFF POWER SWITCH—Press this button to turn the Cisco RV180/180W on and off. When the button is pushed in, power is on.

Power Port—The power port is where you connect the AC power cable.

Default Settings

Parameter	Default Value
Username	cisco
Password	cisco
LAN IP	192.168.1.1
DHCP Range	192.168.1.100 to 192.168.1.254
Netmask	255.255.255.0

5 Getting Started with the Device Manager

Before you begin to use the Device Manager, make sure that you have a PC and web browser as described in the **Before You Begin** section. The Device Manager provides a Setup Wizard to perform basic configuration for the router. You can also perform advanced configuration tasks in the Device Manager, and access online help for your Cisco RV180/180W.

STEP 1 Connect your PC to the Cisco RV180/180W as described in the **Connecting the Equipment** section. Your PC will become a DHCP client of the router and will receive an IP address in the 192.168.1.XXX range.

STEP 2 Start a web browser on your PC. In the Address Bar, enter the default IP address of the router: 192.168.1.1. A warning message appears about the site's security certificate. The Cisco RV180/180W uses a self-signed security certificate and this message appears because the router is not known to your PC. You can safely click **Continue to this website** (or the option shown on your particular web browser) to go to the web site.

STEP 3 When you connect to the router, the login page appears. Enter the default username and password (cisco/cisco).

STEP 4 The Setup Wizard appears. Follow the on-screen prompts in the Setup Wizard to configure your router.

6 Where to Go From Here

Support

Cisco Small Business Support Community	www.cisco.com/go/smallbizsupport
Cisco Small Business Support and Resources	www.cisco.com/go/smallbizhelp
Phone Support Contacts	www.cisco.com/en/US/support/tsd_cisco_small_business_support_center_contacts.html
Cisco Small Business Firmware Downloads	www.cisco.com/cisco/web/download/index.html Select a link to download firmware for Cisco Small Business Products. No login is required.
Cisco Small Business Open Source Requests	www.cisco.com/go/smallbiz_opensource_request

Product Documentation

Cisco Small Business RV Series Routers/Firewalls	www.cisco.com/go/smallbizrouters
--	--

Cisco Small Business

Cisco Partner Central for Small Business (Partner Login Required)	www.cisco.com/web/partners/sell/smb
Cisco Small Business Home	www.cisco.com/smb

Americas Headquarters

Cisco Systems, Inc.
170 West Tasman Drive
San Jose, CA 95134-1706
USA

www.cisco.com

Small Business Support, Global: www.cisco.com/go/sbsc



78-19755-01

Cisco and the Cisco Logo are trademarks of Cisco Systems, Inc. and/or its affiliates in the U.S. and other countries. A listing of Cisco's trademarks can be found at www.cisco.com/go/trademarks. Third party trademarks mentioned are the property of their respective owners. The use of the word partner does not imply a partnership relationship between Cisco and any other company. (1005R)

© 2011 Cisco Systems, Inc. All rights reserved.