



## *ISCSI IP SAN STORAGE*



*DSN-6000 Series*

Quick Installation Guide+

# Quick Installation Guide

## DSN-6000 series

### iSCSI IP SAN storage

## Package Contents

If any of the items are missing, please contact your reseller.



IP SAN storage



HDD trays



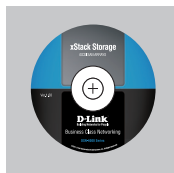
Power cords



RS-232 cables



GBIC transceiver  
and cable for  
DSN-6410/ 6420  
only



CD



Rail kit



Keys, screws for  
drives and rail kit

## Before installation

Before starting, prepare the following items.

1. A host with a Gigabit Ethernet NIC or iSCSI HBA.
2. CAT 5e, or CAT 6 network cables for management port and iSCSI data ports.
3. Prepare storage system configuration plan.
4. Prepare management port and iSCSI data ports network information. When using static IP, please prepare static IP addresses, subnet mask, and default gateway.
5. 10GbE switches (recommended). Or 10GbE switches with LCAP / Trunking (optional).
6. CHAP security information, including CHAP username and secret (optional).

# Install drives

**Note :** Skip this section if you purchased a solution populated with drives.

To install SAS or SATA drives with no Bridge Board use the front mounting holes:



To install SATA drives with Bridge Board (DSN-654), fit the Bridge Board first.



Then install the drive using the rear mounting holes:



## Drive slot numbering

Slot 1	Slot 4	Slot 7	Slot 10
Slot 2	Slot 5	Slot 8	Slot 11
Slot 3	Slot 6	Slot 9	Slot 12

Hard drives can be installed into any slot in the enclosure. Slot numbering will be reflected in web UI.

**Note:** It is advisable to install at least one drive in slots 1 ~ 4. System event logs are saved to drives in these slots; If no drives are fitted the event logs will be lost in the event of a system reboot.

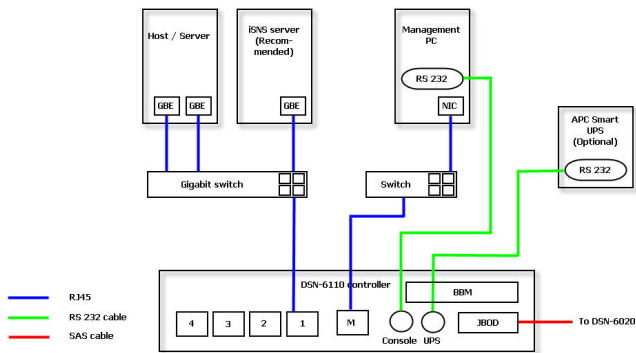
# Deployment

Please refer to the following topology and have all the connections ready.

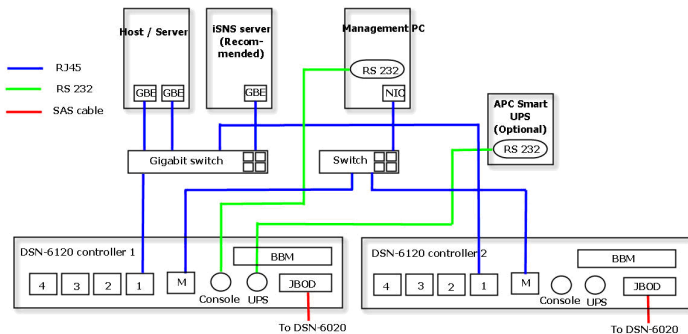
1. Setup the hardware connection before powering on servers. Connect console cable, management port cable, and iSCSI data port cables in advance.
2. In addition, installing an iSNS server is recommended for dual controller system.
3. Power on IP SAN storage and JBOD (optional) first, and then power on hosts and iSNS server.
4. To ensure MPIO is set-up automatically it is recommended that you log on the target twice (from controller 1 then controller 2).

**Note:** iSNS server is recommended for dual controller system.

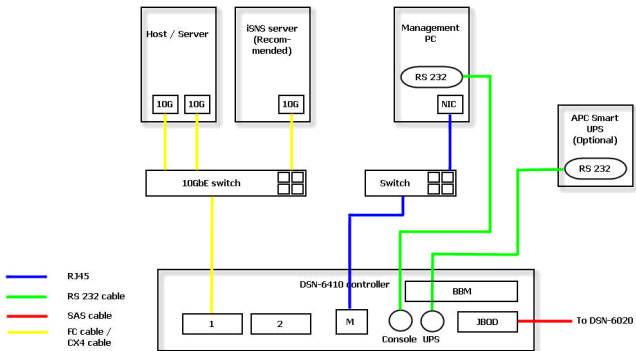
## DSN-6110: 1GbE to SAS/ SATA IP SAN storage, Single controller.



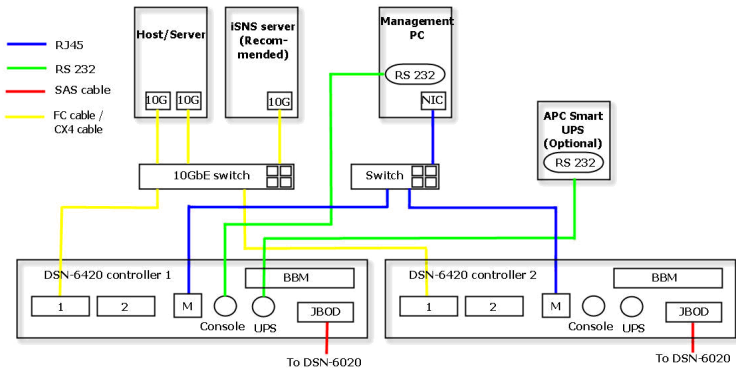
## DSN-6110 with DSN-610: 1GbE to SAS/ SATA IP SAN storage, Dual redundant controller.



**DSN-6410: 10GbE to SAS/ SATA IP SAN storage, Single controller.**



**DSN-6410 with DSN-640: 10GbE to SAS/ SATA IP SAN storage, Dual redundant controller.**



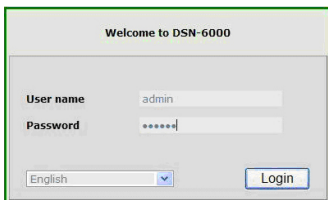
# Configuration

## 1. Web UI

The D-Link DSN-6000 family includes a simple to use Graphical User Interface (GUI) for integration and management. Be sure to connect the LAN cable, open a browser and enter:

**http://192.168.0.32**

A dialog box for authentication will pop up.



User name: **admin**

Default password: **123456**

After login, choose the functions that list on the left hand side to start your configuration.

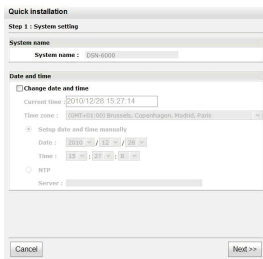
## 2. Quick installation

Please make sure that there are some free drives installed in this system. Please check the hard drive details in “/ Volume configuration / Physical disk”.

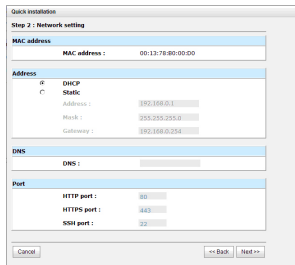
Slot	Size(OB)	RG	Status	Health	Usage	Vendor	Serial	Type	Write cache	Standby	Readhead	Command queuing
0P1	1	465	Online	Good	Free disk	SEAGATE	SQMBKDV00009941M0LJ	SAS	Enabled	Disabled	Enabled	Enabled
0P2	2	465	Online	Good	Free disk	SEAGATE	SQMBKEL9000099448RN	SAS	Enabled	Disabled	Enabled	Enabled
0P3	3	465	Online	Good	Free disk	SEAGATE	SQMBKEFP000099448BQ	SAS	Enabled	Disabled	Enabled	Enabled
0P4	4	465	Online	Good	Free disk	SEAGATE	SQMBKE4F000099448J36	SAS	Enabled	Disabled	Enabled	Enabled
0P5	5	465	Online	Good	Free disk	SEAGATE	SQMBKE1F0000994484T	SAS	Enabled	Disabled	Enabled	Enabled
0P6	6	465	Online	Good	Free disk	SEAGATE	SQMBKZPV000099448E98	SAS	Enabled	Disabled	Enabled	Enabled
0P7	7	465	Online	Good	Free disk	SEAGATE	SQMBKDSV000099448B5S	SAS	Enabled	Disabled	Enabled	Enabled
0P8	8	465	Online	Good	Free disk	SEAGATE	SQMMAF2000009845WF8T	SAS	Enabled	Disabled	Enabled	Enabled

**Step1:** Click the “Quick installation”; follow the steps to set up system name and date / time.

**Step2:** Confirm the management port and DNS IP addresses are correct, and click “Next”.



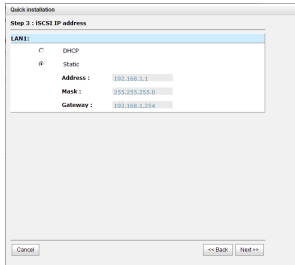
Step 1



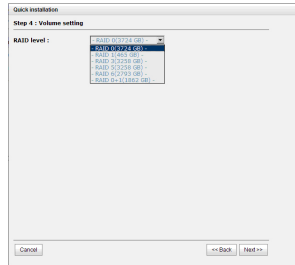
Step 2

**Step 3:** Set up the data port IP and click “Next”.

**Step 4:** Set up the RAID level and volume size and click “Next”.

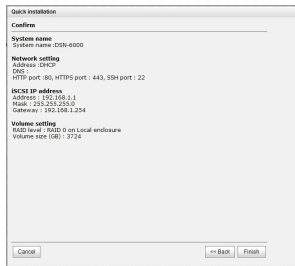


**Step 3**



**Step 4**

**Step 5:** Check all items, and click “Finish”.



**Step 5**

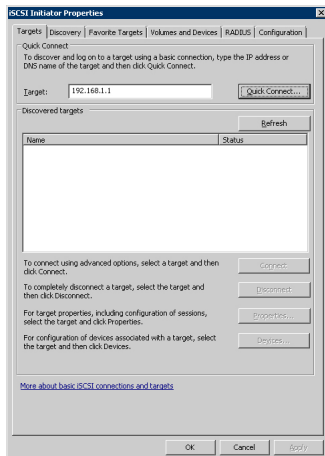
**Step 6:** Done.

### 3. Logon Microsoft iSCSI initiator

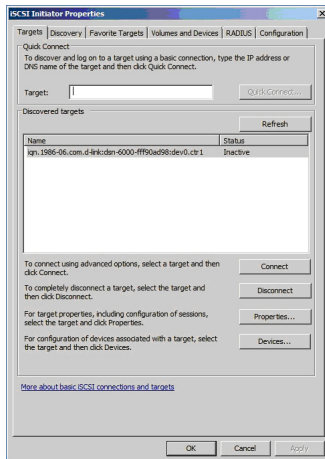
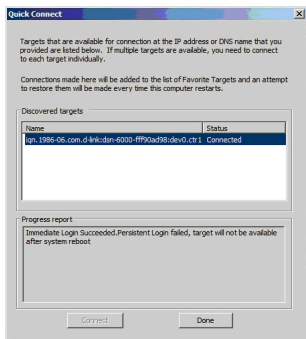
Here are the step by step instructions to setup Microsoft iSCSI Initiator. Please visit Microsoft website for latest iSCSI initiator. This example is based on Microsoft Windows Server 2008 R2.

## Connect

- 1.Run Microsoft iSCSI Initiator.
- 2.Input IP address or DNS name of the target. And then click **“Quick Connect”**.



- 3.Click **“Done”**.



- 4.Your Computer can now connect to an iSCSI disk.



# Notes

---

# Notes

---

# Notes

---

# Tech Support

---

D-Link's website contains the latest user documentation and software updates for D-Link products. U.S. and Canadian customers can contact D-Link Technical Support through our website or by phone.

## **United States**

(877) 354-6555

<http://support.dlink.com>

## **Canada**

(877) 354-6560

<http://support.dlink.ca>

# **D-Link<sup>®</sup>**

Ver. 1.00(US)  
May 23, 2012