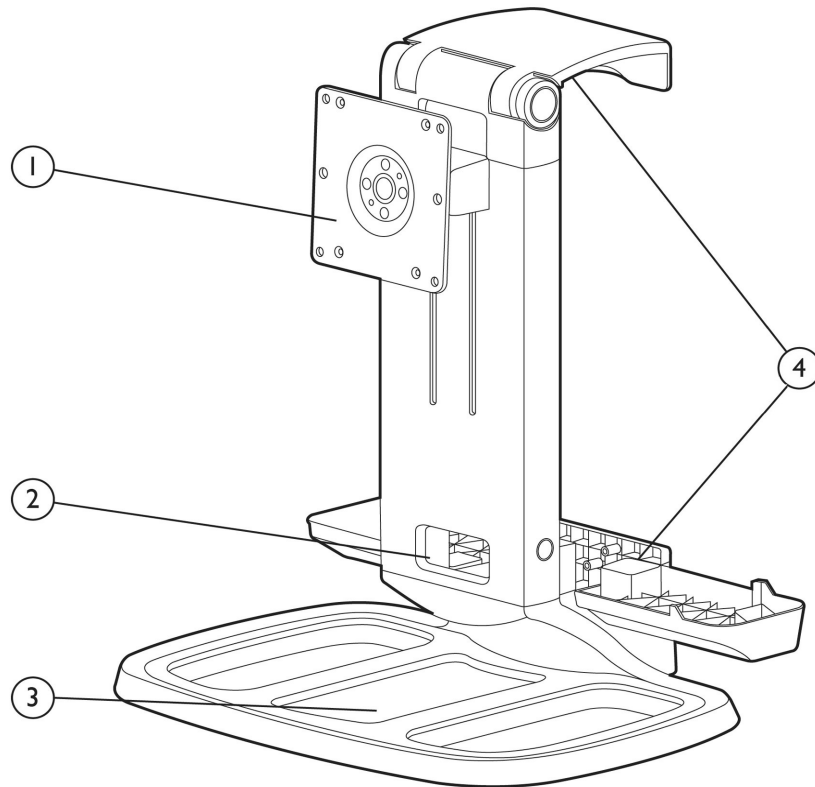


### Overview



1. Adjustable VESA-compliant monitor mount
2. Slot for cable pass-thru
3. Storage area for keyboard and mouse
4. Secure Clamp to hold HP Small Form Factor Desktop PC

### Models

Part Number: QP897AA

### Introduction

Designed specifically for use with the HP Small Form Factor (SFF) Desktop PC and a 17 to 24-inch\* diagonal monitor, the HP Integrated Work Center 2 (IWC) – Small Form Factor (SFF) provides a portable, compact workspace to help maximize space-constrained work environments.

The IWC v2 – SFF's compact size makes it perfect for call-centers, display kiosks or temporary desk spaces. It is also perfect for multi-user environments such as education labs or group workspaces, where areas are frequently rearranged.

**\*17 to 24-inch diagonal monitors need to meet supported weight limits of 7.5 to 12.1 lbs. (3.38 to 5.5 kg).**

### Overview

#### Key features and benefits

- Use your 17- to 24-inch diagonal HP LCD monitor with an HP Small Form Factor Desktop PC SFF, and set-up a compact system configuration to save valuable desktop space and make the most of a space-constrained office environment
- Create a single- or multi-user environment - the portable design makes it easy to move and arrange your workspace
- Industry-standard VESA mounting bracket accommodates most LCD monitors
- Adjust monitor\* to portrait or landscape position for maximum user comfort
- Use the convenient slot at the base to manage cables and minimize clutter
- Store the keyboard and mouse when not in use, in a built-in storage area in the base

\* Some 22- 24-inch diagonal monitors may not be able to rotate into portrait mode.

---

#### Compatibility

HP Compaq 6300 Pro SFF, HP ProDesk 600 G1 SFF, HP Compaq Elite 8300 SFF, HP EliteDesk 800 G1 SFF, and HP Compaq 6305 Pro SFF.

HP Z series Small Form Factor Workstations. The stand will also accommodate a VESA-compliant HP monitor up to 24" diagonal in size, or an industry standard VESA-compliant monitor. Monitors sold separately.

---

#### Service and support

Your Option Limited Warranty is a one (1) year (HP Option Limited Warranty Period) parts replacement warranty on any HP-branded or Compaq-branded options (HP Options). If your HP Option is installed in an HP Hardware Product, HP may provide warranty service either for the HP Option Limited Warranty Period or the remaining Limited Warranty Period of the HP Hardware Product in which the HP Option is being installed, whichever period is the longer but not to exceed three (3) years from the date you purchased the HP Option.

### Technical Specifications

<b>Stand Specifications</b>	<b>Dimensions</b> (H x W x D)	<b>Unpackaged</b> (H x W x D): 16.8 x 14.5 x 12.1 in (427 x 368 x 307 mm) <b>Packaged</b> (L x W x H): 18.5 x 16.4 x 8.5 in (470 x 368 x 271 mm)
	<b>Stand weight</b>	<b>Unpackaged:</b> 8.4 lbs (3.8 kg) <b>Packaged:</b> 11.7 lbs (5.3 kg)
	<b>Operating temperature</b>	32° to 104° F (0° to 40° C)
	<b>Storage temperature</b>	-4° to 149° F (-20° to 65° C)
	<b>Supported weight capacity</b>	29 lbs. (13.1 kg) for combined weight with CPU & monitor Monitor capacity: 7.5 to 12.1 lbs (3.38 to 5.5 kg)
	<b>Stand pan range</b>	360°: -180° to + 180°
	<b>Operating life</b>	5,000 cycles on lift and tilt mechanisms
	<b>Color</b>	Black and Silver
	<b>VESA external mounting</b>	Yes (Standard 4 hole pattern, two separate 100 mm patterns on the mounting bracket)
	<b>Option kit contents</b>	Stand assembly screws & screw covers; monitor mounting screws
	The Integrated Work Center Stand has been designed to support 17 to 24-inch diagonal monitors that weigh between 7.5 to 12.1 lbs (3.38 to 5.5 kg).	

---

<b>Monitor Specifications</b>	<b>LCD size</b>	17-inch to 24-inches LCD Monitor Motion may be restricted when using 22-24-inch diagonal monitors
	<b>Monitor height adjustment range</b>	5-inches (130 mm) Motion may be restricted when using 22-24-inch diagonal monitors
	<b>Monitor tilt range</b>	-3 to +21 degrees vertical tilt Motion may be restricted when using 22-24-inch diagonal monitors
	<b>Monitor rotation</b>	360° Motion may not work when using 22-24-inch monitors in portrait mode.
	<b>Supported weight capacity</b>	Monitor weight capacity: 7.5 to 12.1 lbs (3.38 to 5.5 kg)
	<b>Compatible products</b>	The stand will accommodate a VESA-compliant HP monitor up to 24" diagonal in size, and industry standard VESA-compliant monitors. Monitors sold separately.

© 2011-2013 Hewlett-Packard Development Company, L.P.

The information contained herein is subject to change without notice. The only warranties for HP products and services are set forth in the express warranty statements accompanying such products and services. Nothing herein should be construed as constituting an additional warranty. HP shall not be liable for technical or editorial errors or omissions contained herein.