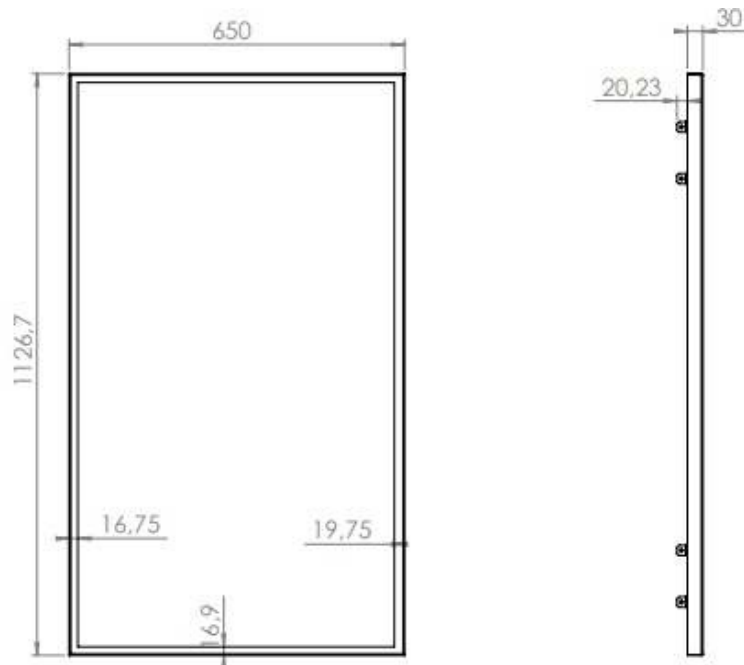


### Frontcover for public displays

Used in markets like menuboard, retail, conference rooms and lobbies. Our own designed non-visible fasteners makes the product very easy to install. Use your creative ideas and choose a frontcover with your own choice of material and color.



### TECHNICAL DRAWING



# SPECIFICATION

---

## Features

---

- Easy Mounting
- Allows both lanscape and portait mode
- Use other materials like brass and Stainless
- Option to add different types of foils

## Material options

---

- Stainless
- Brass
- Foil

## Powder coating options

---

- Black, RAL 9005str
- White, RAL 9003str
- Custom color upon request

## Part number & Description

---

- |                  |                                         |
|------------------|-----------------------------------------|
| • FC5012-0101-01 | Frontcover, Portrait / Landscape, White |
|------------------|-----------------------------------------|